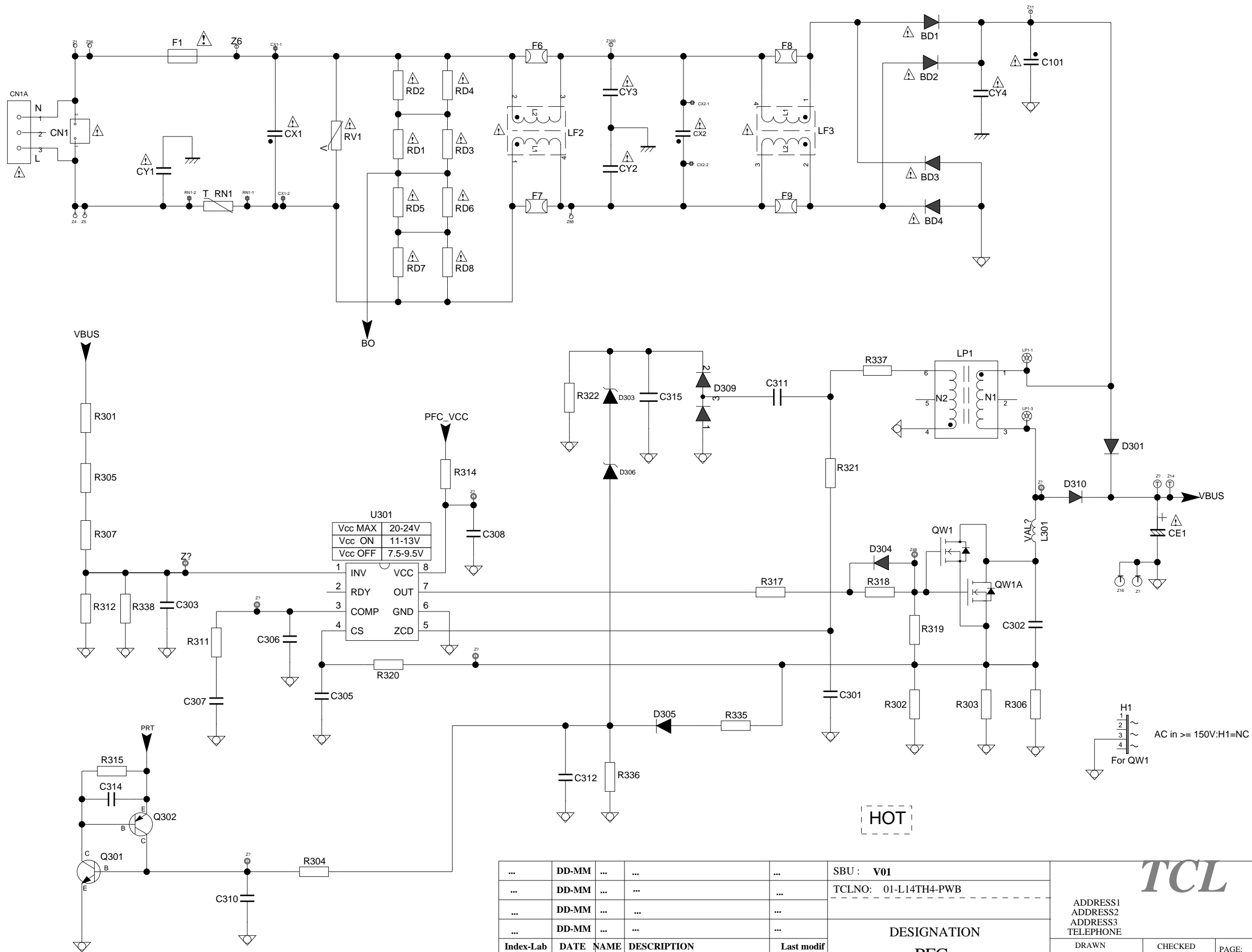


THIS DRAWING CANNOT BE COMMUNICATED TO UNAUTHORIZED PERSONS UNLESS PERMITTED IN WRITING



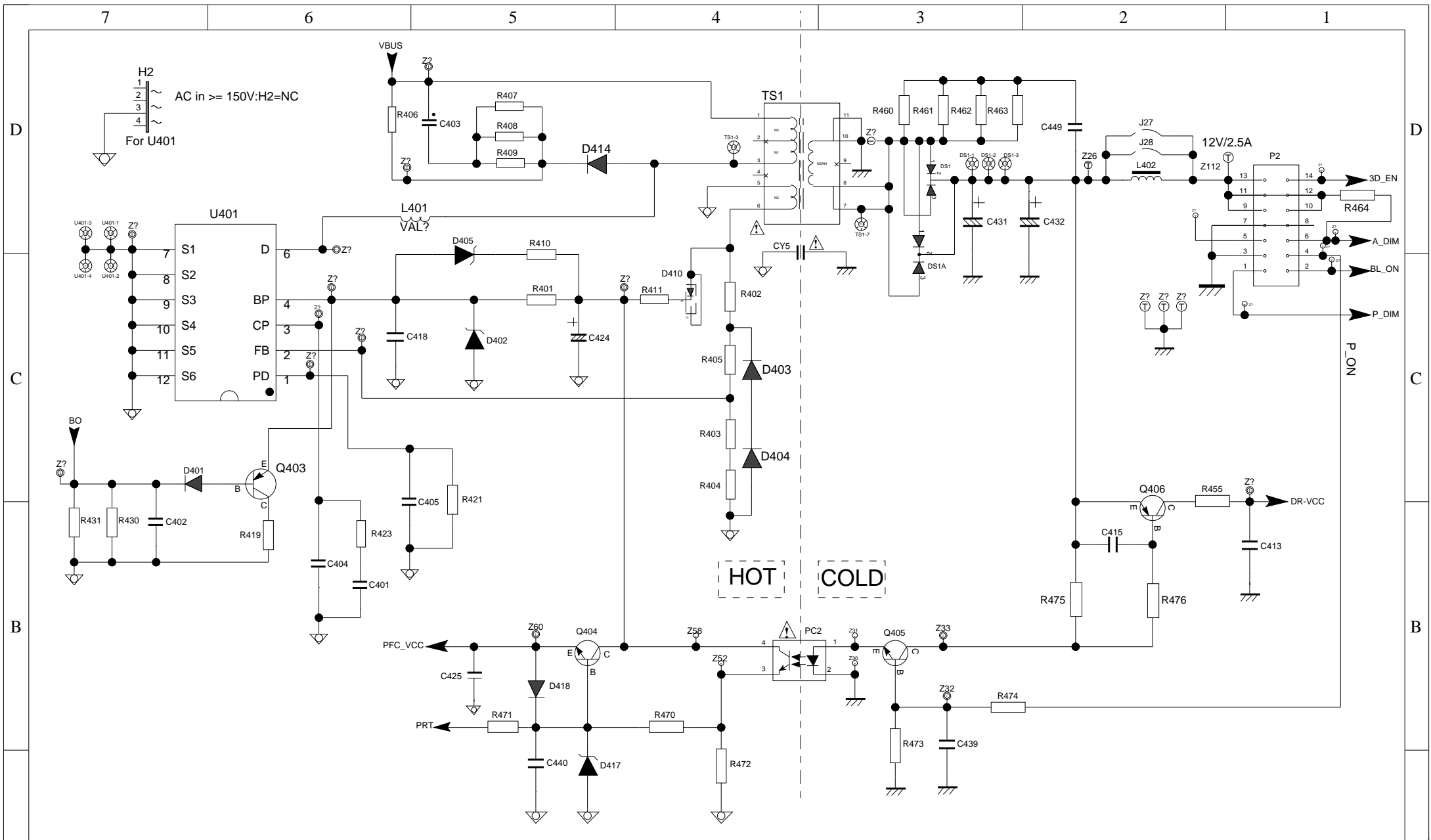
...	DD-MM	SBU : V01
...	DD-MM	TCLNO: 01-L14TH4-PWB
...	DD-MM	DESIGNATION PFC
...	DD-MM	
Index-Lab	DATE	NAME	DESCRIPTION	Last modif	
Last saved : 8-21-2017_16:06					

TCL

ADDRESS1
ADDRESS2
ADDRESS3
TELEPHONE

DRAWN	CHECKED	PAGE: 1
ON:	ON: DD-MM-YY	OF : 3
BY:	BY:	

THIS DRAWING CANNOT BE COMMUNICATED TO UNAUTHORIZED PERSONS COPIEDUNLESS PERMITTED IN WRITING



Index-Lab	DATE	NAME	DESCRIPTION	Last modif
Last saved : 9-15-2017_14:06				

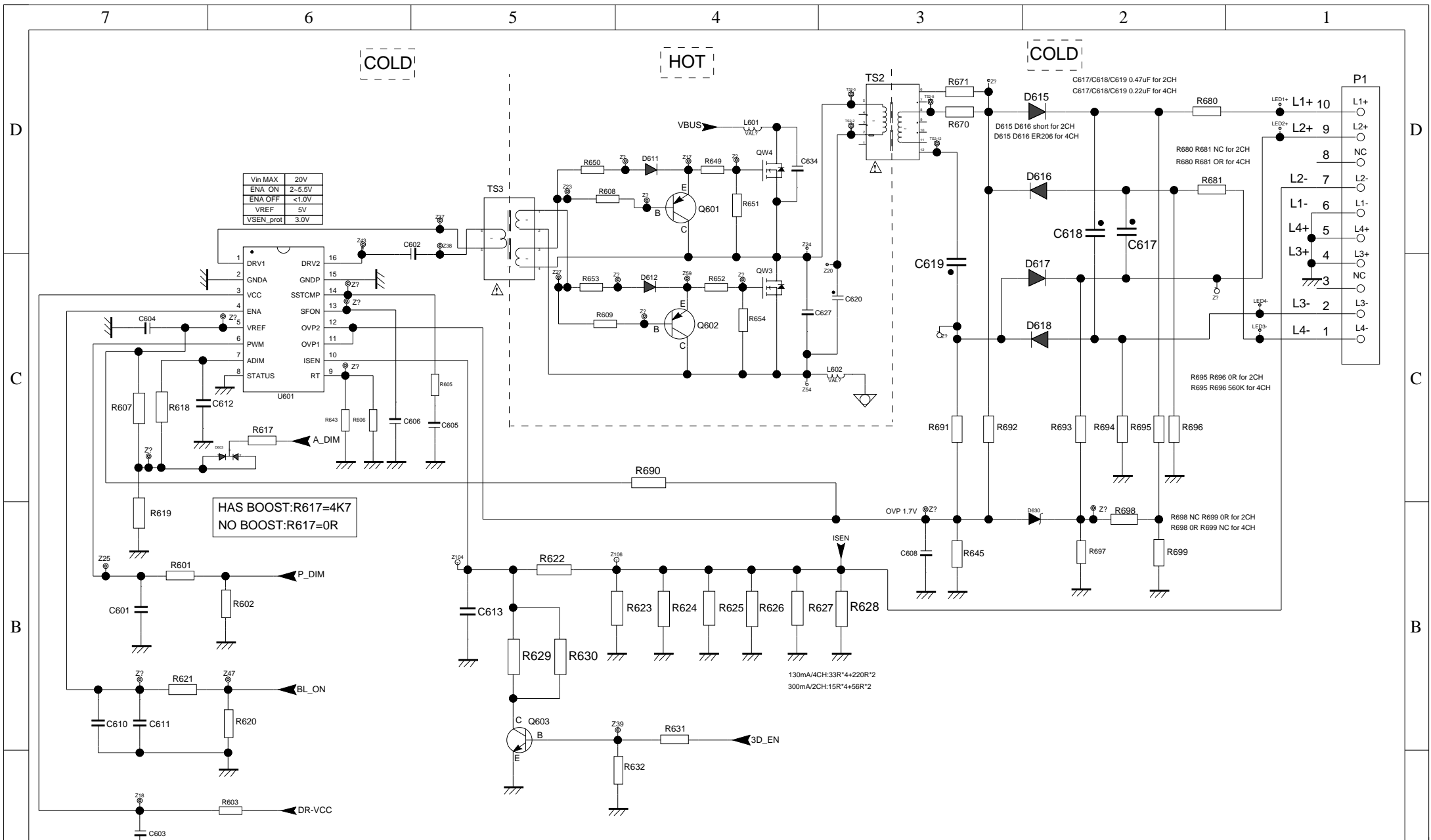
SBU : V01
 TCLNO: 01-L14TH4-PWB

 DESIGNATION
LNK6768V

TCL

DRAWN ON: DD-MM-YY BY:	CHECKED ON: BY:	PAGE: 2 OF : 3
------------------------------	-----------------------	-------------------

THIS DRAWING CANNOT BE COMMUNICATED TO UNAUTHORIZED PERSONS COPIEDUNLESS PERMITTED IN WRITING



Index-Lab	DATE	NAME	DESCRIPTION	Last modif
Last saved : 9-15-2017_14:07				

SBU : V01
 TCLNO: 01-L14TH4-PWB

 DESIGNATION
LLC

TCL

DRAWN ON: DD-MM-YY BY:	CHECKED ON: BY:	PAGE: 3 OF : 3
------------------------------	-----------------------	-------------------